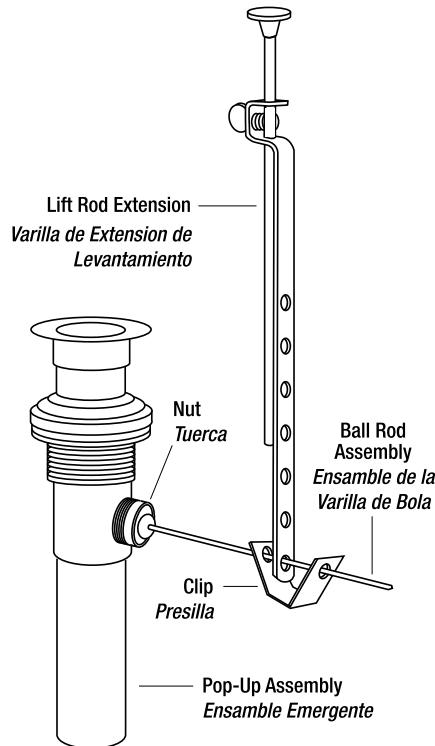


58423B

Installation Instructions



1. Under sink, loosen nut and detach ball rod assembly from pop-up assembly.
2. Detach ball rod assembly by sliding off of clip and lift rod extension.
3. Loosen nut on ball rod assembly and remove.
4. This package includes multiple rod ends. Match rod end to ball rod removed.
5. Screw matching rod end to new rod.
6. Slide new ball rod assembly on to lift rod extension and position with clip.
7. Attach new ball rod assembly to pop-up assembly and tighten nut.

Tools needed for installation: • None