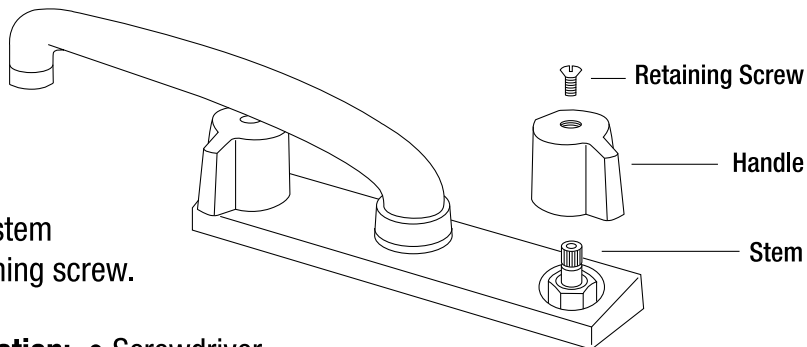


## 58110

### Installation Instructions

1. Turn off water supply.
2. Remove retaining screw from handle.
3. Remove handle by pulling straight up.
4. Place new handle on stem and tighten with retaining screw.
5. Turn on water supply.



**Tools needed for installation:** • Screwdriver