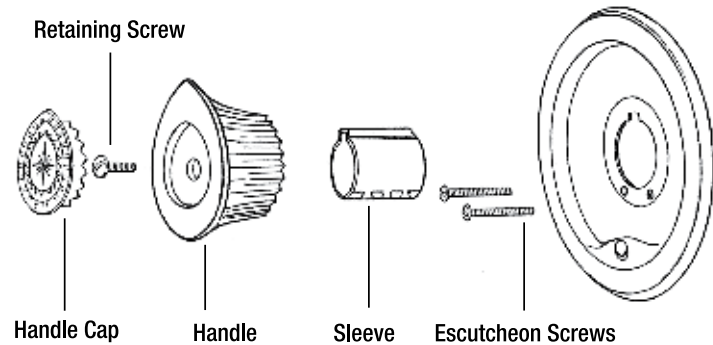


## 58490

### Installation Instructions

1. Shut off water supply.
2. Remove handle cap and retaining screw.
3. Remove handle and escutcheon sleeve.
4. Remove old escutcheon screws.
5. Install new escutcheon screws.  
Note: Long screws are for Delta and short screws are for Moen.
6. Reinstall escutcheon sleeve, handle, retaining screw and handle cap.
7. Turn on water supply.



**Tools needed for installation:** • Screwdriver